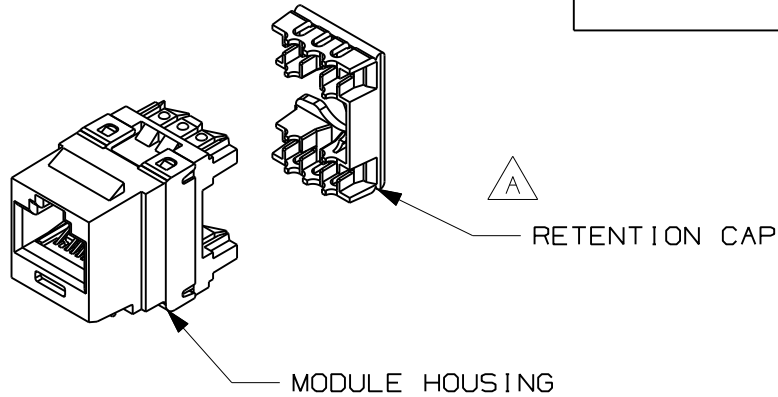


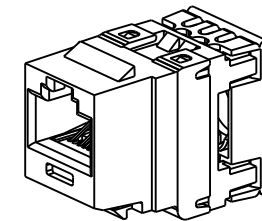
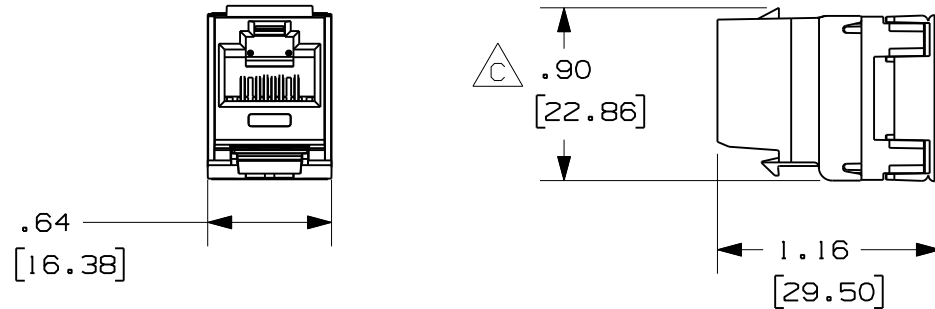
THIS COPY IS PROVIDED ON A RESTRICTED BASIS AND IS NOT TO BE USED IN ANY WAY DETRIMENTAL TO THE INTERESTS OF PANDUIT CORP.

PANDUIT PART#	DESCRIPTION	WEIGHT
NK688M**	8 POSITION, 8 WIRE UNIVERSAL MODULE. MODULE IS COLOR CODED FOR T568A AND T568B WIRING SCHEMES.	1.495 LB/100 PCS (678g/100 PCS)



NOTES:

- SEE CURRENT CATALOG FOR ADDITIONAL PART NUMBER SUFFIXES TO INDICATE COLOR AND OR PACKAGE QUANTITY.
- MATERIAL:  
MODULE - ABS/PC  
RETENTION CAP - ABS
- ALL CATEGORY 6, 8 POSITION, 8 WIRE CONNECTOR MODULES ARE UNIVERSAL IN DESIGN. THEY ACCEPT SIX AND EIGHT POSITION MODULAR PLUGS WITHOUT DAMAGE.
- DIMENSIONS IN PARENTHESES ARE IN METRIC.



ACTUAL SIZE

MODEL FILENAME M01874AD_10GTX_PUNCHDOWN_ASSY_06	SIZE A
DRAWING FILENAME M02341CA_DC07_06A.PRT	
TITLE NETKEY CATEGORY 6 PUNCHDOWN JACK MODULE CUSTOMER DRAWING	
PANDUIT <sup>TM</sup> CORP. TINLEY PARK, ILL 60477	I.T. NUMBER
	PRODUCT SPEC
THIRD ANGLE PROJECTION	WORK INSTRUCTION
ALL DIMENSIONS ARE GIVEN IN INCHES, UNLESS OTHERWISE SPECIFIED. DIMENSIONAL TOLERANCES ARE: (.X) ± (.XXX) ±.010(.3) (.XX) ±.03(.8) ANGLES ±	SCALE FULL
DRAWN BY MDJr	REVIEW DRAWING NUMBERS
DATE 8-25-05	PART NO. NK688M**
CHK'D PBC	DRAWING NO. 02341-07

REV	DATE	BY	CHK	DESCRIPTION	ECN	R	CUST	SUP	OTH
2	3-31-08	MDJr	PBD	D. UPDATED ASSEMBLY MODEL TO REV. 06.	02341-07		MMR		
1	9-23-05	MDJr		C. CHANGED LOCATION OF DIM. B. REVISED NOTE 2. A. REVISED DESCRIPTION.	02341-07				
R	8-25-05	MDJr	PBC	RELEASED TO PRODUCTION	02341-07		TJBU		